

Publication number : 2002-229042

Date of publication of application : 14.08.2002

Int.Cl. G02F 1/1339 G02F 1/13 G09F 9/00

5

Application number : 2001-029363

Applicant : HITACHI INDUSTRIES CO LTD

Date of filing : 06.02.2001

Inventor :

10 **HIRAI AKIRA**

HACHIMAN SATOSHI

NAKAYAMA YUKINORI

NAITO MASAMI

MURAYAMA TAKAO

15

SUBSTRATE-BONDING DEVICE

[Abstract]

20 **PROBLEM TO BE SOLVED:** To highly accurately and quickly bond a substrate in vacuum.

SOLUTION: A first table 4 for detachably holding one of the upper and the lower substrates, and a second table 3 opposed to the first table 4 and to detachably hold the other substrate are provided in a vacuum chamber 2. A first moving means, which holds at least either of the tables 3 and 4 through first shafts 15
25 inserted into a plurality of first opening parts 2b of the vacuum chamber 2,

respectively, and moves either in parallel with the glued surface of each substrate, and a second moving means which holds at least either of the tables 3 and 4, and moves vertically to the glued surface of each substrate are provided outside the vacuum chamber 2. Each first opening part 2b is provided with a first elastic
5 sealing member S1, which airtightly holds the space between the inside of the vacuum chamber 2 and the first shaft 15.

[Claim(s)]

[Claim 1] A substrate bonding device carried out in such a manner that two substrates are disposed in a vacuum chamber, facing each other, one of the two substrates having an adhesive applied thereon, and the two substrates are

5 bonded to each other in a vacuumed state after position arrangement, having a predetermined extreme interval therebetween, the substrate bonding device comprising: a first table formed in the vacuum chamber for detachably supporting any of the two substrates; a second table formed in the vacuum chamber to face the first table, for detachably supporting the other substrate; a

10 first moving unit formed outside the vacuum chamber for supporting at least one of the first and second tables, placing first shafts inserted into a plurality of first opening portions formed at predetermined intervals on the bottom surface of the vacuum chamber between the first moving unit and at least one of the first and second tables, and for moving in a parallel direction with respect to the bonding

15 surfaces of the two substrates to conduct the position arrangement of the two substrates; a second moving unit formed outside the vacuum chamber for

supporting at least one of the two substrates and moving in a vertical direction with respect to the bonding surfaces of the two substrates to conduct the bonding of the two substrates; and a first elastic seal member formed along the outer periphery of each of the first opening portions of the vacuum chamber for
5 maintaining air tightness between the vacuum chamber and each of the first shafts.

[Claim 2] A substrate bonding device as claimed in claim 1, wherein the first elastic seal member has an elastic bellows placed around the outer periphery of each of the first shafts in such a manner as to slide along the outer periphery of
10 each of the first shafts, having one end fixed to the outer periphery of each of the first opening portions of the vacuum chamber and the other end fixed to a magnetic seal.

[Claim 3] A device according to claim 2, wherein the elastic bellows is connected to the vacuum chamber at one end thereof, placing a slide member moving in a
15 parallel direction with respect to the bonding surfaces of the two substrates between the upper and lower ends thereof.

[Claim 4] A device according to any one of claims 1, 2, or 3, wherein the second moving unit is formed to support at least one of the first and second tables in such a manner as to be connected to at least one of the first and second tables, placing second shafts inserted to a plurality of second opening portions formed

5 **at predetermined intervals on the top surface of the vacuum chamber between at least one of the first and second tables and the second moving unit, and a second elastic seal member is formed along the outer periphery of each of the second opening portions of the vacuum chamber for maintaining air tightness between the vacuum chamber and each of the second shafts.**

[Title of the Invention]

SUBSTRATE-BONDING DEVICE

[Detailed Description of the Invention]

[0001]

5 **[Field of the Invention]** The present invention relates to a substrate bonding device, and more particularly, to a substrate bonding device that is allowed to bond upper and lower substrates facing each other in a vacuum chamber to each other, which is especially useful in assembling a liquid crystal display panel.

[0002]

10 **[Description of the Prior Art]** A liquid crystal display panel is constructed in such a manner that two glass substrates on which transparent electrodes or thin film transistor arrays are mounted are bonded at an extremely narrow interval of about several μm to each other as the one substrate is provided with a generally \square -shaped seal material that is formed on the peripheral surface thereof

15 and is bonded to the other by means of adhesive applied on predetermined positions of the outer peripheries of the substrates (Hereinafter, the substrates

after bonding are referred to cells). Then, liquid crystal is filled in the space formed between the two substrates bonded by means of the adhesive.

[0003] A conventional substrate bonding device that carries out the filling of the liquid crystal in such a manner that the liquid crystal is first placed on the one substrate on which the seal material is patterned in the □-shape, without having any liquid crystal inlet, and then, the other side substrate is placed over the one side substrate in a vacuum chamber, thereby bonding the two substrates to each other at a predetermined interval. This is disclosed in Japanese Patent Laid-Open Publication No. 2000-284295.

[0004] As disclosed in Japanese Patent Laid-Open Publication No. 2000-284295, the conventional device has a vacuum chamber that is divided into upper and lower chamber units. The one side substrate is placed on the back surface of a pressurizing plate in the upper chamber unit, and the other side is placed on the table in the lower chamber unit. And, the conventional device couples the upper and lower chamber units with each other to thereby form the single vacuum chamber in which the two substrates face each other.

[0005] At this time, in the conventional device the upper and lower chamber units are moved along the table in the parallel direction to the bonding face of each substrate, thus to execute position arrangement of the two substrates. Next, the interval between the two substrates becomes little by little narrow such that the upper and lower substrates are bonded to each other, being placed between the pressurizing plate and the table.

[0006] Furthermore, the table of the device is a part of the lower chamber unit in such a manner as to be moved horizontally freely together with the lower chamber unit in a state of being separated from the upper chamber unit. Thereby, the table is used as a part of the returning system of the lower substrate, which is effectively utilized upon coating the seal material, the adhesive, and the liquid crystal.

[0007]

[Problem(s) to be Solved by the Invention] According to the prior art, since the position arrangement of the two substrates are conducted in the vacuumed state, the coupled portion of the upper and lower chamber units and the assembled

portion of the lower chamber unit with the table have the pressure applied by the atmospheric pressure which is in proportion to their area in the vacuum chamber.

For example, if the vacuum chamber having a diameter of 700 mm is used to bond the glass substrates each having a size 400 mm x 500 mm, the coupling

5 portion of the upper and lower chamber units has the load of 38.9 kN (3.97 X 10³ kgf) applied thereto.

[0008] Moreover, as the size of substrate becomes large, recently, the load applied to the coupling portion or the assembled portion becomes increased, such that it is difficult to move the table with precision upon position

10 arrangement of the two substrates.

[0009] To remove the above-discussed problems, at this time, there is a way of reducing the area of the assembled portion of the table with the lower chamber unit, not to apply the load thereto. In this case, the support member of the table

has to be reduced in thickness, but since it is used to support the center portion

15 of the table, the reduction of thickness of the support member causes the periphery of the table to be undesirably bent. Thus, the lower substrate is bent

upwardly with respect to the upper substrate, which fails to obtain good bonding results between the upper and lower substrates.

[0010] To maintain the lower substrate at a flat state, there is a way of raising the stiffness of the table. In this case, however, the table gets heavy. If the heavy table is supported by a relatively thin support member, it is easily to be shaken. Therefore, the table should be moved with carefulness upon the position arrangement of each substrate. Thus, the formation of heavy table causes the working efficiency to be considerably low. This way also fails to obtain good bonding results between the upper and lower substrates.

[0011] Accordingly, the present invention has been made in view of the above-mentioned problems occurring in the prior art, and an object of the present invention is to provide a substrate bonding device that can execute the bonding of substrates in a vacuumed state with precision and at a substantially high speed.

[0012]

[Means for Solving the Problem] To achieve the above object, according to the present invention as claimed in claim 1, a substrate bonding device is carried out in such a manner that two substrates are disposed in a vacuum chamber, facing each other, one of the two substrates having adhesive applied thereon, and the

5 two substrates are bonded to each other in a vacuumed state after position arrangement, having a predetermined extreme interval therebetween, the substrate bonding device including: a first table formed in the vacuum chamber for detachably supporting any of the two substrates; a second table formed in the vacuum chamber to face the first table, for detachably supporting the other

10 substrate; a first moving unit formed outside the vacuum chamber for supporting at least one of the first and second tables, placing first shafts inserted into a plurality of first opening portions formed at predetermined intervals on the bottom surface of the vacuum chamber between the first moving unit and at least one of the first and second tables, and for moving in a parallel direction with

15 respect to the bonding surfaces of the two substrates to conduct the position arrangement of the two substrates; a second moving unit formed outside the

vacuum chamber for supporting at least one of the two substrates and moving in a vertical direction with respect to the bonding surfaces of the two substrates to conduct the bonding of the two substrates; and a first elastic seal member formed along the outer periphery of each of the first opening portions of the vacuum chamber for maintaining the air tightness between the vacuum chamber and each of the first shafts.

[0013] According to the present invention as claimed in claim 1, the first elastic seal member has an elastic bellows placed around the outer periphery of each of the first shafts in such a manner as to slide along the outer periphery of each of the first shafts, having one end fixed to the outer periphery of each of the first opening portions of the vacuum chamber and the other end fixed to a magnetic seal.

[0014] According to the present invention as claimed in claim 2, the elastic bellows is connected to the vacuum chamber at one end thereof, placing a slide member moving in a parallel direction with respect to the bonding surfaces of the two substrates between the upper and lower ends thereof.

[0015] According to the present invention as claimed in any of claim 1, 2, or 3, the second moving unit is formed to support at least one of the first and second tables in such a manner as to be connected to at least one of the first and second tables, placing second shafts inserted to a plurality of second opening portions
5 formed at predetermined intervals on the top surface of the vacuum chamber between at least one of the first and second tables and the second moving unit, and a second elastic seal member is formed along the outer periphery of each of the second opening portions of the vacuum chamber for maintaining the air
tightness between the vacuum chamber and each of the second shafts.

10 [0016]

[Embodiment of the Invention] Hereinafter, an explanation of the substrate bonding device according to the preferred embodiment of the present invention is given with reference to FIGS. 1 to 5.

[0017] In FIG. 1, a reference numeral 1 denotes the substrate bonding device of
15 the present invention. The substrate bonding device 1, as shown in FIG. 1, includes a vacuum chamber 2 in which two substrates (hereinafter, the one

substrate is referred to as the upper substrate B1, and the other as the lower substrate B2) are bonded in a vacuumed state, an upper table 3 (a second table) supporting the upper substrate B1, a lower table (a first table) 4 supporting the lower substrate B2, a Z-axis movement base 10 for moving the upper table 3 in upward and downward directions (in a direction of axis Z in FIG. 1), a movement table T1 (first moving unit) for moving the lower table 4 in a horizontal direction, that is, in forward and backward directions (in a direction of axis Y in FIG. 1), in left and right directions (in a direction of axis X in FIG. 1), and in a direction of axis θ in FIG. 1, and a mark observation optical system C1 for observing the position arrangement marks of the upper and lower substrates B1 and B2.

[0018] First, an explanation of the construction of the vacuum chamber 2 is given. The vacuum chamber 2 is provided with an opening portion 2c to and from which the upper and lower substrates B1 and B2 are inserted and drawn, a gate valve 5 for opening/closing the opening portion 2c in such a manner as to move the opening portion 2c in upward and downward directions, and an exhaust valve 6

connected to a vacuum pump which is not shown for exhausting air to make the vacuum chamber 2 in a vacuumed state.

[0019] Further, the vacuum chamber 2 is provided with a plurality of support cleats 7 supporting the upper and lower substrates B1 and B2 and a support mechanism 8 moving the plurality of support cleats 7 in the upward and downward directions and in the forward and backward directions. At this time, a pair of support mechanism 8 are mounted at the both ends of the upper and lower substrates B1 and B2 inserted from the opening portion 2c of the vacuum chamber 2(at the both end portions thereof in the forward and backward directions with respect to the plurality of support cleats 7 in such a manner as to support the upper and lower substrates B1 and B2 horizontally (in a parallel relation to the planes X and Y in FIG. 1).

[0020] The vacuum chamber 2 is further provided on the upper portion thereof with a plurality of windows 27 through which the position arrangement marks of the upper and lower substrates B1 and B2 are observed through through holes

(which are not shown) formed on the upper table 3 by means of the mark observation optical system C1.

[0021] Next, an explanation of the construction of the upper table 3 and the Z-axis movement base 3 is given. The upper table 3 has static suction electrodes and vacuum suction holes thereon to protect and support the upper substrate B1 from the static electricity and vacuum suction. Under the above construction, the upper table 3 is connected to the Z-axis movement base 10 through a second shaft 9 that is inserted and connected to each of four opening portions (second opening portions) 2a formed on the vacuum chamber 2.

[0022] At this time, the Z-axis movement base 10 is moved in the upward and downward directions by having a pair of linear guides 11A formed at the both ends thereof, a pair of guide members 11A mounted to the frame of a device cooperating with the linear guides 11A in such a manner as to be moved in upward and downward directions, a motor 12 having the same output shaft as the axis Z of FIG. 1, and a ball screw 13 having one end cooperating with the Z-axis movement base 10 and the other end cooperating with the output shaft of the

motor 12. Thereby, the upper table 3 is ascendable and descendable in the upward and downward directions.

[0023] Between the outer periphery of each of the opening portions 2a and the Z-axis movement base 10 is provided a vacuum seal (a second elastic seal member)

5 that is mounted on the outer periphery of each of the second shafts 9, such that when the second shafts 9 each are moved upwardly and downwardly together with the Z-axis movement base 10, the vacuum chamber 2 is kept at the air sealed state. As shown in FIG. 1, the vacuum seal is formed of a vacuum bellows (an elastic bellows) that is mounted over the vacuum chamber 2, secured on the
10 periphery of each of the opening portions 2a at one end thereof and on the Z-axis movement base 10 at the other end thereof, such that the vacuum chamber 2 maintains the air sealed state after the vacuuming process to allow the upper table 3 to be ascendably and descendably moved.

[0024] Next, an explanation on the construction of the lower table 4 and the

15 movement table T1 will be given hereinafter. The lower table 4 has static suction electrodes and vacuum suction holes thereon to protect and support the lower

substrate B2 from the static electricity and vacuum suction. Under the above construction, the lower table 4 is connected to the movement table T1 through a first shaft 15 that is inserted and connected to each of four opening portions (first opening portions) 2b formed on the vacuum chamber 2.

5 [0025] The movement table T1 has an X stage 16 formed at the lower portion of the device, a Y stage 18 disposed on the X stage 16, a θ stage 20 disposed on the Y stage, and a plate-like assembling body 15A mounted on the θ stage 20 in such a manner as to be fixed on the lower ends of the first shafts 15. At this time, the X stage 16 is configured such that the Y stage 18 is moved in the left and right
10 directions (the direction of axis X) by means of a driving motor 17, and the Y stage 18 is configured such that the θ stage 20 is moved in the forward and downward directions (the direction of axis Y) by means of a driving motor 19. Moreover, the θ stage 20 is configured such that the assembling body 15A is moved in the direction of axis θ of FIG. 1 by means of a driving motor 22, placing
15 a rotary bearing 21 between the assembling body 15A and the θ stage 20.

[0026] In this case, between the outer periphery of each of the opening portions 2b and the movement table T1 is provided a vacuum seal (a first elastic seal member) S1 that is mounted on the outer periphery of each of the first shafts 15, such that when the first shafts 15 each are moved upwardly and downwardly together with the movement table T1, the vacuum chamber 2 is kept at the air sealed state. As shown in FIG. 1, the vacuum seal S1 includes a vacuum bellows (an elastic bellows) 23 that is fixed to the vacuum chamber 2 at the bottom end portion thereof, a magnetic seal 24 disposed on the lower portion of the vacuum bellows 23, a cross roller guide (slide member) 25 mounted at the lower portion of the magnetic seal 24, and a support base 26 disposed downwardly of the lower portion of the cross roller guide 25.

[0027] In this case, the magnetic seal 24 includes bearings 24a and 24b adapted to slide along the outer periphery of each of the first shafts 15, a magnetic body seal member 24c mounted between the bearings 24a and 24b, and a housing 24d accommodating the bearings 24a and 24b and the magnetic body seal member 24c therein.

[0028] As shown in FIGS. 1 and 5, the cross roller guide 25 is provided with an upper plate 25a fixed at the bottom of the housing 24d, '#'-shaped four guide shafts 25b, and four maintaining bodies 25c formed at the cross portions with the guide shafts 25b in such a manner as to slide along the guide shafts 25b. As shown in FIG. 5, at this time, the guide shafts 25b are formed of the two X-direction guide shafts each are extended to the direction of axis X and fixed at the bottom surface of the upper plate 25a and the two Y-direction guide shafts each are extended to the direction of axis Y and fixed to a support plate of the support base 26 as will be discussed below. Also, the maintaining bodies 25c each have a groove portion through which the X-direction guide shaft freely slides at the one surface thereof (the top surface thereof in FIG. 1) and a groove portion through which the Y-direction guide shaft freely slides at the other surface thereof (the bottom surface thereof in FIG. 1).

[0029] The support base 26 has support members formed downwardly of the lower portion of the vacuum chamber 2 and the support plate fixed at the bottom portions of the support members.

[0030] At this time, the vacuum bellows 23 is fixed to the periphery of each of the opening portions 2b of the vacuum chamber 2 at the top end thereof and fixed to the top end portion of the housing 24d at the bottom end thereof. Also, the housing 24d is fixed to the upper plate 25a of the cross roller guide 25 at the bottom end portion thereof. Moreover, the cross roller guide 25 is fixed to the support plate of the support base 26 secured to the vacuum chamber 2 at the bottom portion thereof.

[0031] At this time, each of the first shafts 15 is inserted and connected into a passage (having a larger outer diameter than the first shaft 15) formed on the upper plate 25a of the cross roller guide 25 and the support base 26, which is not shown in the drawing. In this case, if the first shaft 15 is moved together with the movement table T1, since the vacuum bellows 23 is coupled to the cross roller guide 25 at the lower end thereof, placing the magnetic seal 24 therebetween, it is moved horizontally together with the cross roller guide 25. Additionally, if the movement table T1 is rotated in the direction of axis θ as shown in FIG. 1, the

magnetic body seal member 24c of the magnetic seal 24 serves to suck the rotating force of the first shaft 15.

[0032] Then, an explanation of the construction of the mark observation optical system C1 is given. The mark observation optical system C1 includes an image recognizing camera 28 and an XYZ stage 29 that moves the image recognizing camera 28 in the directions of axes X, Y, and Z, as shown in FIG. 1. At this time, the XYZ stage 29 has an electric motor having the output shafts in the directions of axes X, Y, and Z such that the image recognizing camera 28 can be moved to each axis direction. The mark observation optical system C1 is mounted upwardly of each of the windows 27 of the vacuum chamber 2 such that it can observe the position arrangement marks formed on the two crossed portions or the four portions of the upper and lower substrates B1 and B2.

[0033] Now, an explanation of the operations of the substrate bonding device 1 of the present invention is given with reference to FIGS. 1 and 5.

[0034] At this time, seal is coated to predetermined height and section (width) in a generally □-shaped line on any (the lower substrate B2 in the preferred

embodiment of the present invention) of the upper and lower substrates B1 and B2 such that when the upper and lower substrates B1 and B2 are bonded to each other, liquid crystal is poured in the portion into which the seal is formed. Also, the upper substrate B1 supported by the upper table 3 is previously placed
5 toward the lower portion (the lower portion of FIGS. 2 to 4). Furthermore, a predetermined amount of liquid crystal is filled on the lower substrate B2 supported by the lower table 4 such that the interval between the upper and lower substrates B1 and B2 is an optimal gap when the upper and lower substrates B1 and B2 are bonded.

10 [0035] First, the lower substrate B2 on which the seal is coated and patterned and the liquid crystal is filled in the inside of the □-shaped seal pattern is sucked and fixed on the hand 30 of a substrate conveying robot, as shown in FIG. 2. Then, the gate valve 5 of the vacuum chamber 2 is opened to cause the opening portion
2c of the vacuum chamber 2 to be opened. After that, the hand 30 of the
15 substrate conveying robot is inserted into the opening portion 2c to release the suction of the lower substrate B2.

[0036] Before the suction of the lower substrate B2 is released, at this time, the support mechanism 8 moves the support cleats 7 toward the lower substrate B2 (in the direction of axis Y in FIG. 2) and also raises it in the direction of axis Z in FIG. 2, with a result of contacting the support cleats 7 with the bottom surface of the lower substrate B2. After the support cleats 7 are contacted with the bottom surface of the lower substrate B2, the suction of the lower substrate B2 is released to allow the lower substrate B2 to be supported by means of the support cleats 7, thereby transferring the lower substrate B2.

[0037] After the transferring of the lower substrate B1 is finished, the substrate conveying robot retracts the hand 30, and after the retracting, the support mechanism 8 is descended to transfer the lower substrate B2 on the lower table 4, such that the lower substrate B2 is supported by the lower table 4. At this time, the lower table 4 has grooves (which are not shown) into which the support cleats 7 are inserted, and as the support mechanism 8 is descended, the support cleats 7 are inserted into the grooves of the lower table 4. Also, the support cleats 7 are moved downwardly from the surface (the supported surface of the lower

substrate B2) of the lower table 4, with a result that the lower substrate B2 is transferred on the lower table 4, as shown in FIG. 3.

[0038] After the lower substrate B2 is vacuumed and sucked on the lower table 4, the support mechanism 8 retracts and raises the support cleats 7 from the lower
5 substrate B2, and then moves the support cleats 7 again to transfer the upper substrate B1.

[0039] After that, the upper substrate B1 is sucked and fixed on the hand 30 of the substrate conveying robot, as discussed above, and the hand 30 of the substrate conveying robot is inserted into the opening portion 2c. After that, the suction of
10 the suction of the upper substrate B1 is released to cause the support mechanism 8 to raise the support cleats 7 such that the upper substrate B1 is transferred on the support cleats 7.

[0040] After the transferring of the upper substrate B2 is finished, the support mechanism 8 ascends the upper substrate B1 such that the upper substrate B1 is
15 supported by the upper table 3. After the upper substrate B1 is vacuumed and sucked on the upper table 3, the support cleats 7 still remain at the positions.

And, the substrate conveying robot retracts the hand 30, and if the retracting is finished, the gate valve 5 is closed to allow the opening portion 2c to be closed. After that, the vacuum chamber 2 is vacuumed by using the vacuum pump connected to the exhaust valve 6.

5 [0041] At a point where the vacuum pressure of the vacuum chamber 2 reaches a predetermined desired pressure by the vacuum exhaustion, the support force of the upper table 3 with respect to the upper substrate B1 is converted to the static suction by using a static zipper (static electrodes). At this time, the support mechanism 8 retracts the support cleats 7 after the upper substrate B1 is
10 supported on the upper table 3 in the static suction state.

[0042] Further, when the support cleats 7 are raised, the upper table B1 is not vacuumed and sucked on the upper table 3 but supported by means of the support cleats 7. At the point where the vacuum pressure of the vacuum chamber 2 reaches the predetermined desired pressure by the vacuum
15 exhaustion, the upper table 3 just supports the upper substrate B1 in the static suction state.

[0043] Next, if the support cleats 6 are retracted, the motor 12 is driven to descend the Z-axis movement base 10, as shown in FIG. 4 and thus to move the upper substrate B1 near to the lower substrate B2. And, in the state where the upper and lower substrates B1 and B2 are adjacent to each other, the position arrangement marks are photographed by the image recognizing camera 28 of the mark observation optical system C1, and the XYZ stage 29 is controlled to correspond the center axis of the image recognizing camera 28 with the position arrangement marks.

[0044] After that, the deviation percentage between the position arrangement

marks on the upper substrate B1 and those on the lower substrate B2 is obtained.

Then, based upon the deviation percentage, the movement table T1 is driven to

correspond the position arrangement marks on the upper substrate B1 with those

on the lower substrate B2. Hereinafter, an explanation of the movement of the

first shafts 15, the magnetic seal 24 and the cross-roller guide 25 in the position

arrangement of the upper and lower substrates B1 and B2 by the movement table

T1 is given with reference to FIG. 5.

[0045] A symbol P in FIG. 5 denotes the center position of the support base 26, and Q denotes the center position of the assembling body 15A. Unlike FIG. 1, on the other hand, the assembling body 15A in FIG. 5 is formed larger than the support base 26 so as to easily understand the construction of FIG. 5. Also, the position arrangement is explained with respect to the first shaft 15 placed at the upper portion of the left side of the figure.

[0046] As shown in FIG. 5, as the Y-axis direction guide shafts of the cross roller guide 25 are fixed to the support base 26, they do not move, but the X-axis direction guide shafts thereof move by means of the movement of the first shafts 15 fixed to the assembling body 15A, placing the magnetic seal 24 and the upper plate 25a of the cross roller guide 25 therebetween. At this time, the lower end of the vacuum bellows 23 is fixed to the housing 24d of the magnetic seal 24 fixed to the upper plate 25a and does not rotate itself, thereby carrying out the movement in the horizontal direction (the direction of axes X and Y). Further, since the first shafts 15 are fixed to the assembling body 15A, they are all rotated in the

direction of axis θ . The displacement of rotation between each of the first shaft 15 and the vacuum bellows 23 is absorbed by means of the magnetic seal 24.

[0047] When the position arrangement of the upper and lower substrates B1 and B2 is carried out, therefore, the lower table 4 is moved in the direction of each of the axis X, Y, and θ as shown in FIG. 5 by using the movement table T1, placing the assembling body 15A and each of the first shafts 15 between the lower table 4 and the movement table T1, and at this time, the movement of each first shaft 15 is absorbed by the magnetic seal 24 to the cross roller guide 25, such that the vacuum chamber 2 can be maintained at a vacuumed state, without any damage of the vacuum bellows 23.

[0048] The range of movement of the movement table T1 for the position arrangement of the upper and lower substrates B1 and B2 is just from the assembling body 15A of each of the first shafts 15 to the lower table 4. At this time, as the lower table 4 is supported by the plurality of first shafts 15, there is no need to make the strength raised. Also, as the plurality of first shafts 15 are used to support the lower table 4, each of them may have a substantially low

thickness. Also, each of the magnetic seals 24 may become small-sized. The lower table 4, the first shafts 25, and the magnetic seals 24 are moved by the movement table T1 can have relatively light weight. In this case, when the vacuum chamber 2 is vacuumed, the external pressure applied to the magnetic seals 24 can be reduced.

[0049] According to the substrate bonding device of the present invention, the lower table 4 can maintain the flatness to allow the upper and lower substrates B1 and B2 to be kept in a parallel relation to each other, thereby obtaining the lightness of the weight and the reduction of the external pressure. Thus, the position arrangement can be conducted with ease and precision and at a very high speed by using the image recognizing camera 28.

[0050] Furthermore, in the construction of the present invention, the external pressure applied to the magnetic seals 24 works in the direction (the upward and downward directions in FIG. 1) of compressing the vacuum bellows 23, but in the preferred embodiment of the present invention, it is transferred to the support base 26, placing the cross roller guides 25 between the magnetic seals 24 and the

support base 26. Thus, the load of the vacuum bellows 23 itself becomes low so that the lifetime of the fixed portions formed by welding is not reduced.

[0051] After the position arrangement of the upper and lower substrates B1 and B2 is carried out in the manner as mentioned above, next, the upper table 3 is further descended by using the Z-axis movement base 10 such that the upper and lower substrates B1 and B2 are bonded to each other, having a predetermined amount of seal applied between them.

[0052] At this time, the upper and lower substrates B1 and B2 are maintained in the parallel relation to each other, and even if the seal is removed, there is no problem that it still remains therebetween. Also, the interval between the upper and lower substrates B1 and B2 becomes narrow at a constant speed, such that the liquid crystal is pressed and little by little spreads in the inside of the □-shaped area formed by the seal. At this state, the position arrangement of the upper and lower substrates B1 and B2 is not misaligned, and light is irradiated by using light source to light hardening adhesive previously coated for temporarily fixing the substrates B1 and B2 thus to prevent the position to be arranged from

differing from the real position. Then, the upper and lower substrates B1 and B2 are temporarily fixed.

[0053] After that, the static suction between the upper and lower substrates B1 and B2 is released to raise the upper table 3, and the exhaust valve 6 is closed.

5 Next, the vacuum chamber 2 is in an atmospheric pressure by opening an atmospheric opening valve which is not shown in the drawing. Thereby, as the atmospheric pressure works between the upper and lower substrates B1 and B2, the upper and lower substrates B1 and B2 are pressurized to allow the liquid crystal to spread in the whole area formed by the seal.

10 [0054] After the vacuum chamber 2 has been under the atmospheric pressure, the support mechanism 8 descends the support cleats 7 to the grooves on the lower table 4. Then, the support mechanism 8 permits the support cleats 7 to be moved forwardly and ascended, such that the upper and lower substrates B1 and B2 at the temporarily fixed state are supported and transferred by the support cleats 7.

15 [0055] Next, the gate valve 5 is opened to allow the opening portion 2c of the vacuum chamber 2 to be opened such that the hand 30 of the substrate

conveying robot is inserted through the opening portion 2c. By using the hand
30, the upper and lower substrates (the cells) B1 and B2 that are bonded to each
other and supported on the support cleats 7 are drawn and delivered to a device
of conducting next real processes. At this time, the real bonding may be finished
5 in the vacuum chamber 2.

[0056] In the preferred embodiment of the present invention, the four first shafts
15 are employed to support the lower table 4, but the number of first shafts is not
limited thereto and is adjustable appropriately. Also, the number of first shafts 15
may be set differently from that of second shafts 9.

10 [0057] In the preferred embodiment of the present invention, so as to align and
bond the upper and lower substrates B1 and B2, the movement of the direction of
axis Z between the upper and lower substrates B1 and B2 is conducted by the
upper table 3 side, but as discussed above, the weight of the movement table T1
can be light, such that it is possible to have the movement table T1 (which is
15 mounted at the same position as the upper table 3 and conducts the same

operation as the upper table 3) on which a Z-axis table is mounted employed in the present invention.

[0058] Additionally, the substrate bonding device of the present invention is not restricted to the manufacturing process of a liquid crystal display, but for example, it is applicable to the bonding process of a register film on the substrate in the vacuum chamber and to a bonding process of a print substrate in the vacuum chamber.

[0059]

[Effects of the Invention] As set forth in the foregoing, according to the present invention, a substrate bonding device can execute the bonding of substrates in a vacuumed state with precision and at a substantially high speed.

[Description of Drawings]

FIG. 1 is a side view showing the construction of a substrate bonding device according to the present invention.

FIG. 2 is a view describing the operation of inserting a lower substrate in a vacuum chamber in the substrate bonding device of the present invention.

FIG. 3 is a view describing the operation of moving and transferring the lower substrate on a lower table in the substrate bonding device of the present invention.

FIG. 4 is a view describing the operation of the position arrangement of the upper and lower substrates and the bonding operation of the substrates in the
5 **substrate bonding device of the present invention.**

FIG. 5 is a view describing the movements of first shafts, magnetic seals and cross roller guides upon operation of position arrangement of the upper and lower substrates, when viewed from the top of the drawing.

10 **[Explanation on Reference Numerals]**

1: substrate bonding device

2: vacuum chamber

3: upper table

4: lower table

15 **5: gate valve**

9: second shaft

10: Z-axis movement table

12: motor

14 and 23: vacuum bellows

15: first shaft

5 **24: magnetic seal**

25: cross roller guide

T1: movement table

S1: vacuum seal

C1: mark observation optical system

10 **B1: upper substrate**

B2: lower substrate

(19) 日本国特許庁 (J P)

(12) 公開特許公報 (A)

(11) 特許出願公開番号
特開2002-229042
(P2002-229042A)

(43) 公開日 平成14年8月14日 (2002.8.14)

(51) Int.Cl. ⁷	識別記号	F I	テマート* (参考)
G 0 2 F 1/1339	5 0 5	G 0 2 F 1/1339	5 0 5 2 H 0 8 8
	1/13	1/13	1 0 1 2 H 0 8 9
G 0 9 F 9/00	3 3 8	G 0 9 F 9/00	3 3 8 5 G 4 3 5

審査請求 有 請求項の数 4 O L (全 9 頁)

(21) 出願番号 特願2001-29363(P2001-29363)

(22) 出願日 平成13年2月6日(2001.2.6)

(71) 出願人 000233077

株式会社 日立インダストリーズ
東京都足立区中川四丁目13番17号

(72) 発明者 平井 明

茨城県竜ヶ崎市向陽台5丁目2番 日立テ
クノエンジニアリング株式会社竜ヶ崎工場
内

(72) 発明者 八幡 聡

茨城県竜ヶ崎市向陽台5丁目2番 日立テ
クノエンジニアリング株式会社竜ヶ崎工場
内

(74) 代理人 100059269

弁理士 秋本 正実

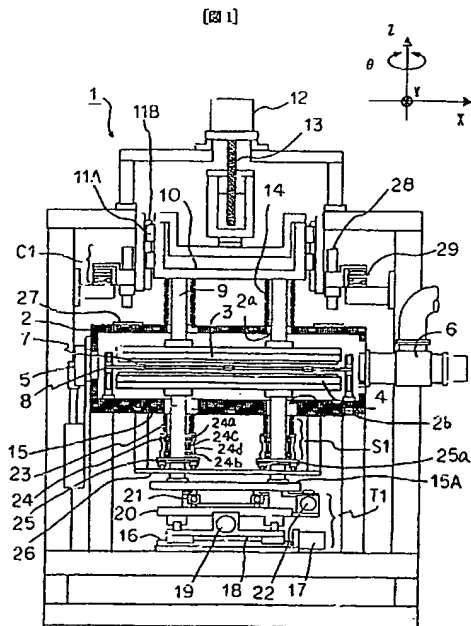
最終頁に続く

(54) 【発明の名称】 基板貼り合せ装置

(57) 【要約】

【課題】 真空中での基板の貼り合せを高精度に、且つ素早く行うこと

【解決手段】 真空中での基板の貼り合せを高精度に、且つ素早く行うこと。真空チャンバ2内に、上下の基板の一方を着脱自在に保持する第一のテーブル4と、この第一のテーブル4に対向し且つ他方の基板を着脱自在に保持する第二のテーブル3とを備える。更に、真空チャンバ2外に、この真空チャンバ2の複数の第一の開口部2bに各々挿通する第一のシャフト15を介して各テーブル3、4の少なくとも何れか一方を保持し且つ各基板の貼り合せ面に平行に移動する第一の移動手段と、各テーブル3、4の少なくとも何れか一方を保持し且つ各基板の貼り合せ面に垂直に移動する第二の移動手段とを備える。そして、各第一の開口部2bに、真空チャンバ2内と第一のシャフト15との間を気密に保持する第一の弾性シール部材S1を設けること。



【特許請求の範囲】

【請求項1】 少なくとも何れか一方に接着剤を設けた貼り合せ対象物たる基板同士の各々を、真空チャンバ内で上下に対向させて保持し、且つ位置決めを行うと共に間隔を狭めて真空中で貼り合せる基板貼り合せ装置であって、

前記真空チャンバ内に、前記各基板の内の何れか一方を着脱自在に保持する第一のテーブルと、該第一のテーブルに対向して配設し且つ他方の基板を着脱自在に保持する第二のテーブルとを備える一方、

前記真空チャンバ外に、該真空チャンバに間隔を設けて形成した複数の第一の開口部に各々挿通する第一のシャフトを介して前記第一及び第二のテーブルの内の少なくとも何れか一方を保持し且つ前記各基板の貼り合せ面に対し平行に移動して当該各基板の位置合わせを行う第一の移動手段と、前記第一及び第二のテーブルの内の少なくとも何れか一方を保持し且つ前記各基板の貼り合せ面に対し垂直に移動して当該各基板の貼り合せを行う第二の移動手段とを備え、

前記真空チャンバの各第一の開口部に、該真空チャンバ内と前記第一のシャフトとの間を気密に保持する第一の弾性シール部材を設けることを特徴とした基板貼り合せ装置。

【請求項2】 前記第一の弾性シール部材は、前記第一のシャフトに覆設すると共に一方の端部を前記真空チャンバの第一の開口部の辺縁に固定し、且つ他方の端部を固定する磁気シールを介して前記第一のシャフトの外周部に摺動する蛇腹状弾性体を有することを特徴とした請求項1に記載の基板貼り合せ装置。

【請求項3】 前記蛇腹状弾性体の他方の端部は、前記各基板の貼り合せ面に対し平行に移動するスライド部材を介して前記真空チャンバと連結することを特徴とした請求項2に記載の基板貼り合せ装置。

【請求項4】 前記移動手段を前記第一及び第二のテーブルの内の一方に設けると共に、前記駆動手段を、前記真空チャンバに間隔を設けて形成した複数の第二の開口部に各々挿通する第二のシャフトを介して前記他方のテーブルと連結し、

前記真空チャンバの各第二の開口部に、該真空チャンバ内と前記第二のシャフトとの間を気密に保持する第二の弾性シール部材を設けることを特徴とした請求項1、2又は3の内の何れか一つに記載の基板貼り合せ装置。

【発明の詳細な説明】

【0001】

【発明の属する技術分野】本発明は、基板貼り合せ装置に係り、特に真空チャンバ内で貼り合わせる基板同士をそれぞれ保持して対向させ、間隔を狭めて貼り合せる液晶表示パネル等の組立に好適な基板貼り合せ装置に関する。

【0002】

【従来の技術】液晶表示パネルは、透明電極や薄膜トランジスタアレイが設けられた二枚のガラス基板を、基板の周縁部に口字状に設けたシール剤や基板の外周部の適宜な位置に塗布した接着剤で数 μm 程度の極めて接近した間隔をもって貼り合せ（以下、その貼り合せ後の基板を「セル」という。）、各基板とシール材若しくは接着剤で形成される空間に液晶を封止したものである。

【0003】従来、この液晶の封止を行う基板貼り合せ装置として、注入口を設けないように、シール剤をクローズしたパターン（口字形）に描画した一方の基板上に液晶を滴下しておき、真空チャンバ内で他方の基板を一方の基板の上方に配置し、しかる後、上下の基板を接近させて貼り合せる特開2000-284295号公報に開示された装置がある。

【0004】この特開2000-284295号公報に開示されたが如きこの種の装置は、真空チャンバが上下二分割構成になっていて、上部チャンバユニット内に設けた加圧板の下面に、貼り合わせる一方の基板を保持し、下チャンバユニット内に設けたテーブル上に、貼り合わせる他方の基板を保持している。そして、この装置は、上下のチャンバユニットを合体させて真空チャンバを形成し、この真空チャンバ内で両基板を対向させている。

【0005】ここで、この装置は、各基板の貼り合せ面と平行な方向に上下のチャンバユニットを相対的にテーブルごと移動させて各基板の位置合せを行った後、加圧板及びテーブルを介して各基板の間隔を狭めて貼り合わせを行っている。

【0006】また、この装置のテーブルは下チャンバユニットの一部を構成しており、そのテーブルを上チャンバユニットと上下に切り離した状態では、下チャンバユニットと一緒に自由に水平に移動することができる。これが為、テーブルを下側基板の搬送系の一部とすることができ、シール剤や接着剤、更には液晶の塗布の際に有効に活用することができる。

【0007】

【発明が解決しようとする課題】しかしながら、上記従来例に開示された装置は、基板の位置決めを真空中で行っているため、上下のチャンバユニットの合体部や下チャンバユニットとテーブルとの結合部には、真空チャンバにおける合体部や下チャンバユニットとテーブルとの結合部の面積に比例して大気圧による圧力が加わる。例えば400mm×500mmのガラス基板を貼り合わせる為に直径700mmの真空チャンバを使用したとすると、上下のチャンバユニットの合体部には38.9kN（ $3.97 \times 10^3 \text{ kgf}$ ）の荷重が加わる。

【0008】そして、近年、基板サイズは大型化する傾向にあり、これら合体部や結合部に加わる荷重も増加してしまうので、位置合わせを図る際にテーブルを精密に移動することが困難となる、という不都合があった。

【0009】ここで、上記不都合を改善する為、テーブルと下チャンバユニットとの結合部における面積を小さくして荷重が掛らないようにする、という方策がある。しかしながら、この場合テーブルの支持部材を細くしなければならず、更には支持部材がテーブルの中心部を支えているので、テーブルの周縁部が撓んでしまう。これが為、下基板が上基板に対して上方に凸状の形になってしまい、貼り合わせには好適ではない。

【0010】そこで、下基板を平坦に保持する為にテーブルの剛性を高める、という方策があるが、この場合テーブルが重くなってしまふ。このような重いテーブルを細い支持部材で支える場合テーブルが揺れ易くなるので、位置合わせの際のテーブルの移動は、慎重に進める必要がある。これが為、作業効率が悪く、この場合であっても貼り合わせには好適ではない。

【0011】本発明は、かかる従来例の有する不都合を改善し、真空中での基板の貼り合せを高精度に、且つ素早く行うことができる基板貼り合せ装置を提供することを、その目的とする。

【0012】

【課題を解決するための手段】上記目的を達成する為、請求項1記載の発明では、少なくとも何れか一方に接着剤を設けた貼り合せ対象物たる基板同士の各々を、真空チャンバ内で上下に対向させて保持し、且つ位置決めを行うと共に間隔を狭めて真空中で貼り合せる基板貼り合せ装置において、真空チャンバ内に、各基板の内の何れか一方を着脱自在に保持する第一のテーブルと、この第一のテーブルに対向して配設し且つ他方の基板を着脱自在に保持する第二のテーブルとを備えている。更に、真空チャンバ外に、この真空チャンバに間隔を設けて形成した複数の第一の開口部に各々挿通する第一のシャフトを介して第一及び第二のテーブルの内の少なくとも何れか一方を保持し且つ各基板の貼り合せ面に対し平行に移動して当該各基板の位置合わせを行う第一の移動手段と、第一及び第二のテーブルの内の少なくとも何れか一方を保持し且つ各基板の貼り合せ面に対し垂直に移動して当該各基板の貼り合せを行う第二の移動手段とを備えている。そして、真空チャンバの各第一の開口部に、この真空チャンバ内と第一のシャフトとの間を気密に保持する第一の弾性シール部材を設けている。

【0013】請求項2記載の発明では、前述した請求項1記載の基板貼り合せ装置において、第一の弾性シール部材が、第一のシャフトに覆設すると共に一方の端部を真空チャンバの第一の開口部の辺縁に固定し、且つ他方の端部を固定する磁気シールを介して第一のシャフトの外周部に摺動する蛇腹状弾性体を有している

【0014】請求項3記載の発明では、前述した請求項2記載の基板貼り合せ装置において、蛇腹状弾性体の他方の端部は、各基板の貼り合せ面に対し平行に移動するスライド部材を介して真空チャンバと連結している。

【0015】請求項4記載の発明では、前述した請求項1、2又は3の内の何れか一つに記載の基板貼り合せ装置において、移動手段を第一及び第二のテーブルの内の一方に設けると共に、駆動手段を、真空チャンバに間隔を設けて形成した複数の第二の開口部に各々挿通する第二のシャフトを介して他方のテーブルと連結しているそして、真空チャンバの各第二の開口部に、この真空チャンバ内と第二のシャフトとの間を気密に保持する第二の弾性シール部材を設けている。

【0016】

【発明の実施の形態】本発明の一実施形態について図1から図5に基づいて説明する。

【0017】図1中の符号1は、本実施形態の基板貼り合せ装置を示す。この基板貼り合せ装置1は、図1に示すように、真空下にて二枚の基板（以下、一方を「上側基板B1」と、他方を「下側基板B2」という。）の貼り合わせを行う部屋たる真空チャンバ2と、この真空チャンバ2内部に配設された上側基板B1を保持する上テーブル（第二のテーブル）3と、下側基板B2を保持する下テーブル（第一のテーブル）4と、その上テーブル3を上下方向（図1に示すZ軸方向）に移動させるZ軸移動ベース10と、その下テーブル4を水平面内で移動させる、即ち前後方向（図1に示すY軸方向）及び左右方向（図1に示すX軸方向）に移動させ且つ図1に示すθ方向に回転させる移動テーブル（第一の移動手段）T1と、上下の各基板B1、B2の位置合わせマークを測定するマーク観測用光学系C1とを有している。

【0018】上述した真空チャンバ2について説明する。この真空チャンバ2には、上下の各基板B1、B2を出し入れする為に設けられた開口部2cを閉塞する例えば上下方向に移動自在なゲートバルブ5と、図示しない真空ポンプに接続して真空チャンバ2内を真空排気する排気バルブ6とが備えられる。

【0019】また、真空チャンバ2の内部には、上下の各基板B1、B2を保持する複数の保持爪7と、この保持爪7を上下方向並びに前後方向に移動させる保持機構8とが備えられる。ここで、保持爪7と保持機構8は前後方向に一对設けられており、真空チャンバ2の開口部2cから搬送された上下の各基板B1、B2の両端部（前後方向の両端部）にて、その上下の各基板B1、B2を水平（図1に示すXY平面と平行）に保持するよう構成される。

【0020】更に、この真空チャンバ2の上部には、上テーブル3に形成された図示しない貫通穴を通して上下の各基板B1、B2の位置合わせマークをマーク観測用光学系C1で測定する為の窓27が複数設けられる。

【0021】続いて、前述した上テーブル3及びZ軸移動ベース10について説明する。この上テーブル3には、静電吸着用電極並びに真空吸着用の吸着孔が備えられ、静電気又は真空吸着によって上側基板B1を保持す

るよう構成される。このように構成された上テーブル3は、真空チャンバ2に形成された四つの開口部（第二の開口部）2aの各々に挿通する第二のシャフト9を介してZ軸移動ベース10に連結される。

【0022】ここで、Z軸移動ベース10は、その両端に配設されたリニアガイド11Aと、このリニアガイド11Aに係合する装置の枠体に設けられた上下方向のガイド部材11Bと、図1に示すZ軸方向と同一の軸を有する出力軸を備えたモータ12と、一端がZ軸移動ベース10に係合し且つ他端がモータ12の出力軸に係合するボールネジ13とで上下方向に移動するように構成される（第二の移動手段）。これにより、上テーブル3の上下方向への昇降を可能にしている。

【0023】また、開口部2aの辺縁とZ軸移動ベース10との間には、第二のシャフト9に覆設する真空シール（第二の弾性シール部材）が装備され、その第二のシャフト9がZ軸移動ベース10と共に上下移動しても真空チャンバ2内の気密状態を保つようシールがされる。この真空シールは、図1に示すが如く、真空チャンバ2の上部に設けた真空ベローズ（蛇腹状弾性体）14から成り、その一端が開口部2aの辺縁に、他端がZ軸移動ベース10に固定されることによって、真空チャンバ2内が真空となった状態でも、気密状態を保って上テーブル3の昇降を可能にしている。

【0024】続いて、前述した下テーブル4及び移動テーブルT1について説明する。この下テーブル4には、静電吸着用電極並びに真空吸着用の吸着孔が備えられ、静電気又は真空吸着によって下側基板B2を保持するよう構成される。このように構成された下テーブル4は、真空チャンバ2に形成された四つの開口部（第一の開口部）2bの各々に挿通する第一のシャフト15を介して移動テーブルT1に連結される。

【0025】この移動テーブルT1は、装置の下部に配設されたXステージ16と、このXステージ16上に配設されたYステージ18と、このYステージ18上に配設されたθステージ20と、このθステージ20上に配設され且つ各第一のシャフト15の下端に固定された板状の結合体15Aとを有する。ここで、Xステージ16は、駆動モータ17によってYステージ18を左右方向（X軸方向）に移動できるように構成される。また、Yステージ18は、駆動モータ19によってθステージ20を前後方向（Y軸方向）に移動できるように構成される。更に又、θステージ20は、回転ベアリング21を介し駆動モータ22によって結合体15Aを図1に示すθ方向に回転できるように構成される。

【0026】この場合、開口部2bの辺縁と移動テーブルT1との間には、第一のシャフト15に覆設する真空シール（第一の弾性シール部材）S1が装備され、その第一のシャフト15が移動テーブルT1上で移動しても真空チャンバ2内の気密状態を保つようシールがされ

る。この真空シールS1は、図1に示すが如く、真空チャンバ2の下部に設けた真空ベローズ（蛇腹状弾性体）23と、この真空ベローズ23の下部に設けた磁気シール24と、この磁気シール24の下部に設けたクロスローラガイド（スライド部材）25と、このクロスローラガイド25の下部に設けた支持ベース26とで構成される。

【0027】この場合、磁気シール24は、第一のシャフト15の外周部を摺動するベアリング24a、24bと、このベアリング24a、24b間に設けた磁性体シール部24cと、ベアリング24a、24b及び磁性体シール部24cに覆設するハウジング24dとで構成される。

【0028】また、クロスローラガイド25は、図1及び図5に示すように、ハウジング24dの下端に固定する上板25aと、井桁状に配設された四つの断面略矩形のガイド軸25bと、これら各ガイド軸25bの交差部分でそのガイド軸25bを摺動自在に保持する四つの断面略矩形の保持体25cとで構成される。ここで、その各ガイド軸25bは、図5に示すX軸方向に延設され且つ上板25aの下面に固定される二本のX方向ガイド軸と、図5に示すY軸方向に延設され且つ支持ベース26の後述する支持主体上に固定される二本のY方向ガイド軸とから成る。また、上記保持体25cには、その一方の面（図1中の紙面上側の面）にX方向ガイド軸を摺動自在に保持する溝部が、他方の面（図1中の紙面下側の面）にY方向ガイド軸を摺動自在に保持する溝部が形成される。

【0029】更に又、支持ベース26は、真空チャンバ2の下部から下方に向けて立設された支持部材と、この支持部材の下部に固定された板状の支持主体とで構成される。

【0030】ここで、真空ベローズ23は、その上端が真空チャンバ2の開口部2bの辺縁部に、下端がハウジング24dの上端部に固定される。また、ハウジング24dの下端部は、クロスローラガイド25の上板25aに固定される。更に又、クロスローラガイド25の下部は、真空チャンバ2に固定した支持ベース26の支持主体に固定される。

【0031】ここで、前述した第一のシャフト15は、クロスローラガイド25の上板25aと支持ベース26に各々形成された図示しない開口（第一のシャフト15の外径よりも大きな開口）に挿通して設けられる。この場合、この第一のシャフト15が移動テーブルT1の移動に伴って移動すると、真空ベローズ23の下端は、磁気シール24を介してクロスローラガイド25に結合されている為、このクロスローラガイド25と共に水平方向に移動する。また、その移動テーブルT1が図1に示すθ方向の回転を伴う場合には、磁気シール24の磁性体シール部24cが第一のシャフト15の回転成分を吸

収する。

【0032】続いて、前述したマーク観測用光学系C1について説明する。このマーク観測用光学系C1は、画像認識カメラ28と、この画像認識カメラ28を図1に示すX、Y、Z軸方向に移動させるXYZステージ29とで構成される。ここで、このXYZステージ29にはそのX、Y、Z軸方向の出力軸を有する電動モータが装備され、これにより画像認識カメラ28を各軸方向に移動できるよう構成される。このように構成されたマーク観測用光学系C1は、対角2箇所又は4箇所に亘って上下の各基板B1、B2に設けられた位置合わせマークを観測するよう真空チャンバ2の窓27の上部に複数設けられる。

【0033】次に、以上の如く構成された基板貼り合せ装置1の動作説明を図2から図5に基づいて行う。

【0034】ここで、予め上側基板B1又は下側基板B2の何れか一方（本実施形態にあっては下側基板B2）には、その上下の各基板B1、B2を貼り合せた際に液晶を決められた枠内に閉じ込め封入する為、口字形にシール剤を一筆書きで一定の高さと塗布断面（幅）で塗布しておく。また、上テーブル3で保持する上側基板B1は、膜面が下方（図2から図4中の紙面下方）を向くよう予め反転しておく。更に又、下テーブル4で保持する下側基板B2上には、貼り合せをした際に各基板B1、B2間が最適なギャップとなるよう液晶を一定量滴下しておく。

【0035】先ず、図2に示す基板搬送用ロボットのハンド30上に、上述した如くシール剤が塗布描画され且つその口字形の内側に液晶が滴下された下側基板B2が吸着固定される。そして、真空チャンバ2のゲートバルブ5を開き、その真空チャンバ2の開口部2cが開放されると、この開口部2cから基板搬送用ロボットのハンド30が挿入され、下側基板B2の吸着が開放される。

【0036】ここで、このハンド30の吸着が開放される前に、保持機構8は、保持爪7を下側基板B2に向けて（図2に示すY軸方向）移動させ、更に図2に示すZ軸方向に上昇させて下側基板B2の下面に当接させる。このように保持爪7が下側基板B2に当接した後、下側基板B2の吸着が開放されて保持爪7上にその下側基板B2を受け取ることによって、下側基板B2の移載が行われる。

【0037】この下側基板B2の移載が終了した後、基板搬送用ロボットはハンド30を後退させ、その後退が終了すると、保持機構8が下降して下テーブル4上に下側基板B2を移載し、その下テーブル4で下側基板B2を真空吸着する。ここで、下テーブル4には保持爪7が入る図示しない溝が設けてあり、保持機構8が下降することによってその溝に保持爪7が入り、更にその保持爪7が下テーブル4の上面（下側基板B2の保持面）より

下方に下降することによって図3に示すが如く下側基板B2が下テーブル4上に移載される。

【0038】下テーブル4上に下側基板B2が真空吸着された後、保持機構8は、下側基板B2から保持爪7を後退させ且つ上昇させて、上側基板B1を移載できるよう再びその保持爪7を前進させる。

【0039】次に、基板搬送用ロボットのハンド30上に前述した如く反転された上側基板B1を吸着固定し、真空チャンバ2の開口部2cからそのハンド30が挿入される。しかる後、上側基板B1の吸着が開放され、保持機構8が保持爪7を上昇させることによって保持爪7上にその上側基板B1が移載される。

【0040】この上側基板B1の移載が終了した後、保持機構8は上側基板B1を上昇させ、上テーブル3にその上側基板B1を真空吸着させる。上テーブル3に上側基板B1が真空吸着された後、保持爪7はそのまゝの位置に留まる。そして、基板搬送用ロボットがハンド30を後退させ、その後退が終了すると、ゲートバルブ5を移動して開口部2cを閉塞し、しかる後、排気バルブ6を切り替えて図示しない真空ポンプを用いて真空チャンバ2内を真空排気する。

【0041】この真空排気によって真空チャンバ2内が予め設定してある所望の真空圧に到達した時点で、上テーブル3による上側基板B1の保持を静電チャック（静電吸着用電極）による静電吸着に切り替える。また、下側基板B2も同様に下テーブル4の静電チャック（静電吸着用電極）による静電吸着に切り替える。ここで、保持機構8は、上テーブル3にて上側基板B1が静電吸着保持された後、保持爪7を後退させる。

【0042】尚、保持爪7を上昇させた際に、上側基板B1を上テーブル3で真空吸着せずに保持爪7で保持したままにし、真空チャンバ2内が所望の真空圧に到達した時点で上側基板B1を直接静電吸着で保持するにしてもよい。

【0043】次に、保持爪7の後退が終了すると、図4に示すように、モータ12を駆動させてZ軸移動ベース10を下降し、上側基板B1を下側基板B2に接近させる。そして、この上下の各基板B1、B2が接近した状態で、マーク観測用光学系C1の画像認識カメラ28で上側基板B1の位置合わせマークを観測し、その位置合わせマークに画像認識カメラ28の中心軸が一致するようXYZステージ29を駆動制御して位置合わせを行う。

【0044】しかる後、その状態で画像認識カメラ28が下側基板B2の位置合わせマークを観測し、上側基板B1と下側基板B2各々の位置合わせマークのずれ量を測定する。そして、このずれ量に基づいて上下の各基板B1、B2のマーク位置が一致するよう移動テーブルT1を駆動する。以下に、この移動テーブルT1による上下の各基板B1、B2の位置合せ時における、第一のシ

ャフト15、磁気シール24及びクロスローラガイド25の動きについて図5に基づいて説明する。

【0045】図5の符号Pは支持ベース26の中心位置、符号Qは結合体15Aの中心位置を示す。また、本図においては理解を容易にする為に、図1とは異なり、結合体15Aを支持ベース26よりも大きく描いている。更に又、本図にあっては、図中の左側上方の第一のシャフト15を中心とした位置合せ動作として例示する。

【0046】図5に示すように、前述したクロスローラガイド25のY方向ガイド軸は支持ベース26側に固定されている為移動しないが、X方向ガイド軸は、結合体15Aを介した第一のシャフト15の移動によって、磁気シール24及びクロスローラガイド25の上板25aを介して移動する。ここで、真空ベローズ23の下端は、上板25aに固定された磁気シール24のハウジング24dと固定されている為に、それ自体が回転することなく水平(XY方向)移動する。また、各第一のシャフト15は、結合体15Aに固定されている為、この結合体15Aと共に全体的に θ 方向回転する。更に又、第一のシャフト15と真空ベローズ23相互間の回転変位は、前述した如く磁気シール24により吸収される。

【0047】従って、上下の各基板B1、B2の位置合わせを行う際に、移動テーブルT1で図5に示すX、Y、 θ の各方向に結合体15A及び各第一のシャフト15を介して下テーブル4を移動させても、これら各第一のシャフト15の移動は磁気シール24とクロスローラガイド25で吸収される為、真空ベローズ23を損傷せず真空チャンバ2内の真空状態を維持することができる。

【0048】また、上下の各基板B1、B2の位置合わせにおいて移動テーブルT1が動かすものは、各第一のシャフト15の結合体15Aから下テーブル4までの部分だけである。ここで、下テーブル4は、複数の第一のシャフト15で支持されている為、その剛性を高めるべく頑丈なものとする必要がない。更に、複数の第一のシャフト15で下テーブル4を支持している為、その各第一のシャフト15自体も頑丈なものを使用する必要が無く、細いものを具備すれば済む。また、各磁気シール24も小型のもので済む。従って、移動テーブルT1が動かす下テーブル4、第一のシャフト15並びに磁気シール24の軽量化を図ることができる。そして、真空チャンバ2内を真空にした場合、各磁気シール24に掛る外圧を軽減することができる。

【0049】このように本装置によれば、下テーブル4の平坦性を維持することができるので、上下の各基板B1、B2を平行に保持することができ、しかも重量の軽量化と外圧の軽減をも図ることができるので、画像認識カメラ28を利用した位置合わせを、容易且つ高精度に、しかも素早く行うことができる。

【0050】また、本実施形態の構成において、磁気シール24に掛る外圧は真空ベローズ23を圧縮する方向(図1中の紙面上下方向)に作用するが、本実施形態にあってはその外圧をクロスローラガイド25を介して支持ベース26に伝達し負担する構造である為、真空ベローズ23自体の負担は軽減され、溶接等による固着部での寿命は損なわれない。

【0051】次に、以上示した如く上下の各基板B1、B2の位置合わせを行った後、上テーブル3をZ軸移動ベース10で更に下降することによってその各基板B1、B2を貼り合せ、各基板B1、B2間のシール剤を一定量潰す。

【0052】ここで、前述したように各基板B1、B2は平行に保持されているので、シール剤を潰す場合に潰し残しといった問題を起こさない。また、均等に間隔を狭めていくので、液晶も押されて口字形のシール剤で囲んだ内部領域に僅かながら行き渡る。そしてこの状態で、各基板B1、B2の位置決めがずれないように、各基板B1、B2間に予め塗布された位置ずれ防止用の光硬化型の仮止め接着剤に図示しない光源を用いて光を照射し、各基板B1、B2の仮固定を行う。

【0053】その後、上テーブル3及び下テーブル4の静電吸着を切断して上テーブル3を上昇させ、排気バルブ6を閉じた後、真空チャンバ2内を図示しない大気開放バルブを開放して大気圧にする。これにより、各基板B1、B2間に大気圧が作用してその各基板B1、B2を更に加圧し、液晶が口字形のシール剤で囲まれた全域に行き渡る。

【0054】この大気開放後、保持機構8は保持爪7を下テーブル4の溝位置にまで下降させる。しかる後、保持機構8は、その保持爪7を前進させ、且つ上昇させて、仮固定済の各基板B1、B2を保持爪7の上に移載する。

【0055】続いて、ゲートバルブ5を開いて真空チャンバ2の開口部2cを開放し、その開口部2cから基板搬送用ロボットのハンド30が挿入される。そして、そのハンド30を用いて保持爪7上の仮固定済の各基板B1、B2を一体物(セル)として取り出し、下流の装置に渡し本固定を行う。尚、この真空チャンバ2内で本固定を済ませてよい。

【0056】本実施形態では、4本の第一のシャフト15で下テーブル4を支持したが、その第一のシャフト15の本数は必ずしも4本に限定するものではなく、適宜その本数を設定して装置を構成してもよい。また、第一及び第二のシャフト9、15は、各々異なる本数で構成してもよい。

【0057】更に又、本実施形態では、上下の各基板B1、B2を貼り合わせるべく、その各基板B1、B2相互間のZ軸方向の移動を上テーブル3側に実行させているが、前述した如く移動テーブルT1の軽量化が図れ

ている為、本実施形態の上テーブル3に替えて、その移動テーブルT1にZ軸テーブル（上テーブル3と同様の位置に配設され且つ同様の動作を行うテーブル）を設けた構成にしてもよい。

【0058】尚、本装置は、液晶表示パネルの製造のみに限定されるものではなく、例えば真空チャンバ内で基板にレジスト膜を貼り合わせる場合や真空チャンバ内でプリント基板の貼り合わせを行う場合に適用してもよい。

【0059】

【発明の効果】以上示したように、本発明に係る基板貼り合せ装置は、真空中での基板の貼り合せを高精度に、且つ素早く行うことができるという、従来にない優れた基板貼り合せ装置を得ることが可能となる。

【図面の簡単な説明】

【図1】本発明に係る基板貼り合せ装置の一実施形態を示す図であって、その構成を示す側面図である。

【図2】本実施形態における下側基板の真空チャンバ内への搬入動作を説明する説明図である。

【図3】本実施形態における下側基板の下テーブルへの移載動作を説明する説明図である。

【図4】本実施形態における上下の各基板の位置合わせ

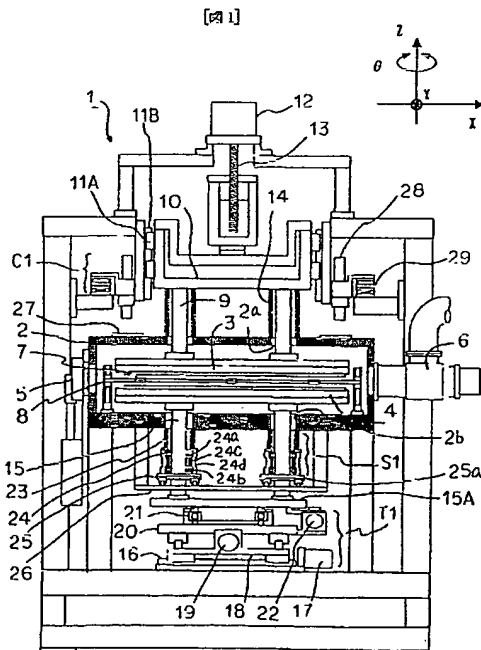
と貼り合せ動作を説明する説明図である。

【図5】本実施形態における上下の各基板の位置合わせ動作時の第一のシャフト、磁気シール並びにクロスローラガイドの動きを上方から見た模式図である。

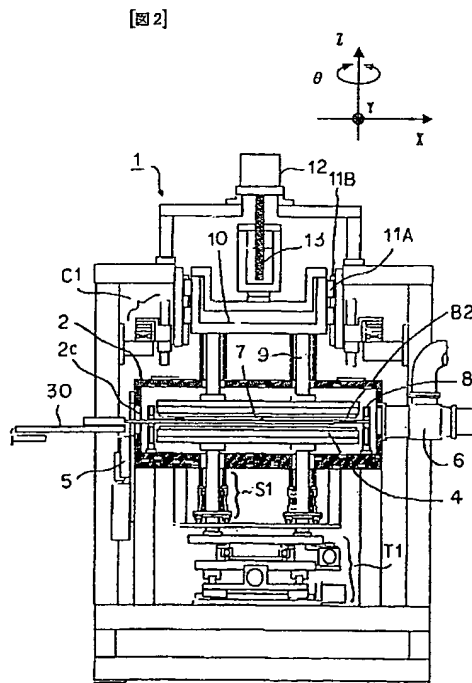
【符号の説明】

- 1 基板貼り合せ装置
- 2 真空チャンバ
- 3 上テーブル
- 4 下テーブル
- 5 ゲートバルブ
- 9 第二のシャフト
- 10 Z軸移動テーブル
- 12 モータ
- 14, 23 真空ベローズ
- 15 第一のシャフト
- 24 磁気シール
- 25 クロスローラガイド
- T1 移動テーブル
- S1 真空シール
- C1 観測用光学系
- B1 上側基板
- B2 下側基板

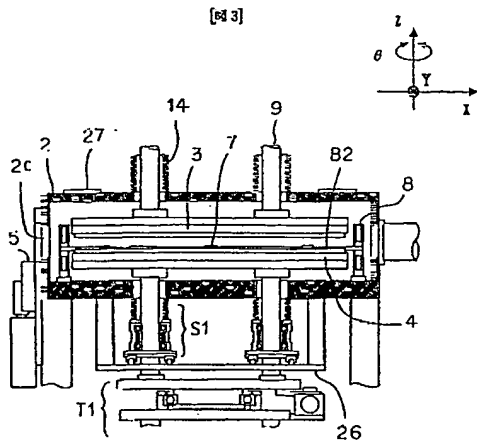
【図1】



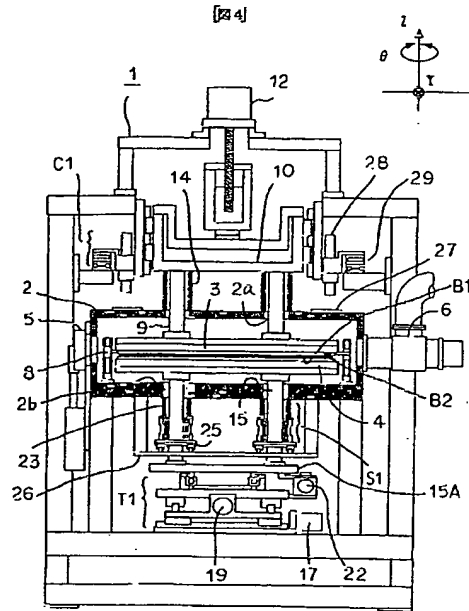
【図2】



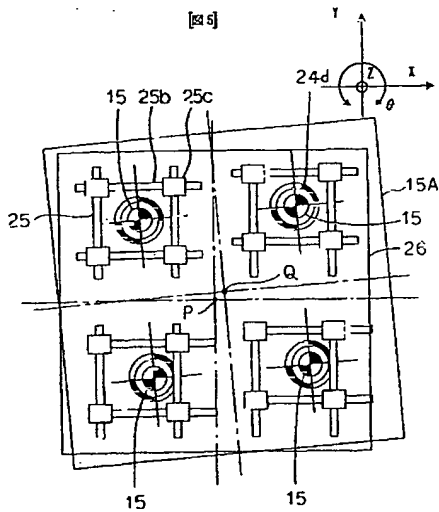
【図3】



【図4】



【図5】



フロントページの続き

(72)発明者 中山 幸徳
 茨城県竜ヶ崎市向陽台5丁目2番 日立テ
 クノエンジニアリング株式会社竜ヶ崎工場
 内
 (72)発明者 内藤 正美
 茨城県竜ヶ崎市向陽台5丁目2番 日立テ
 クノエンジニアリング株式会社竜ヶ崎工場
 内

(72)発明者 村山 孝夫
 茨城県竜ヶ崎市向陽台5丁目2番 日立テ
 クノエンジニアリング株式会社竜ヶ崎工場
 内

!(9) 002-229042 (P2002-229042A)

Fターム(参考) 2H088 FA10 FA16 FA30 HA01 HA08
MA17 MA20
2H089 LA41 NA24 NA38 NA49 QA12
5G435 AA17 BB12 EE09 EE33 KK05
KK10